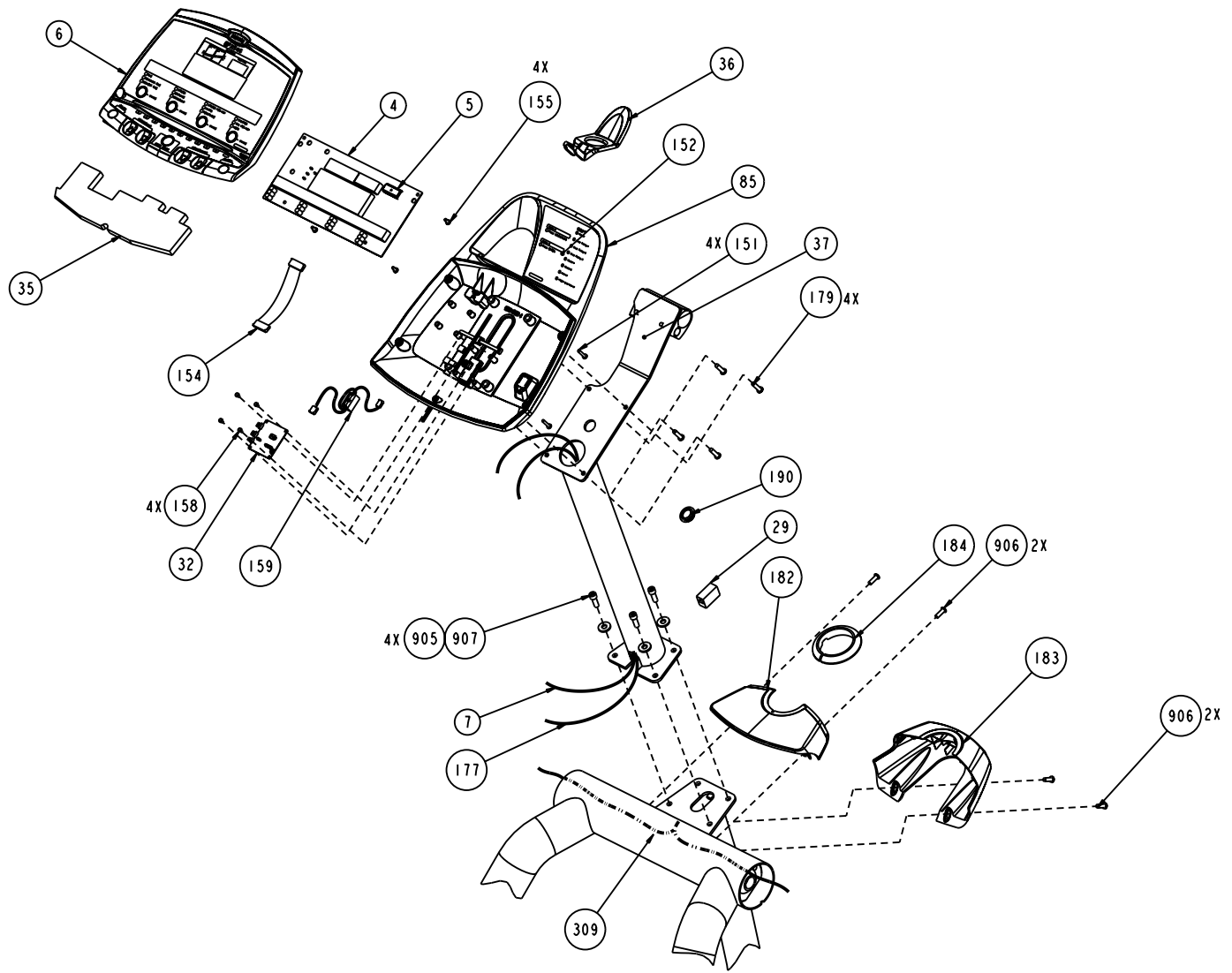
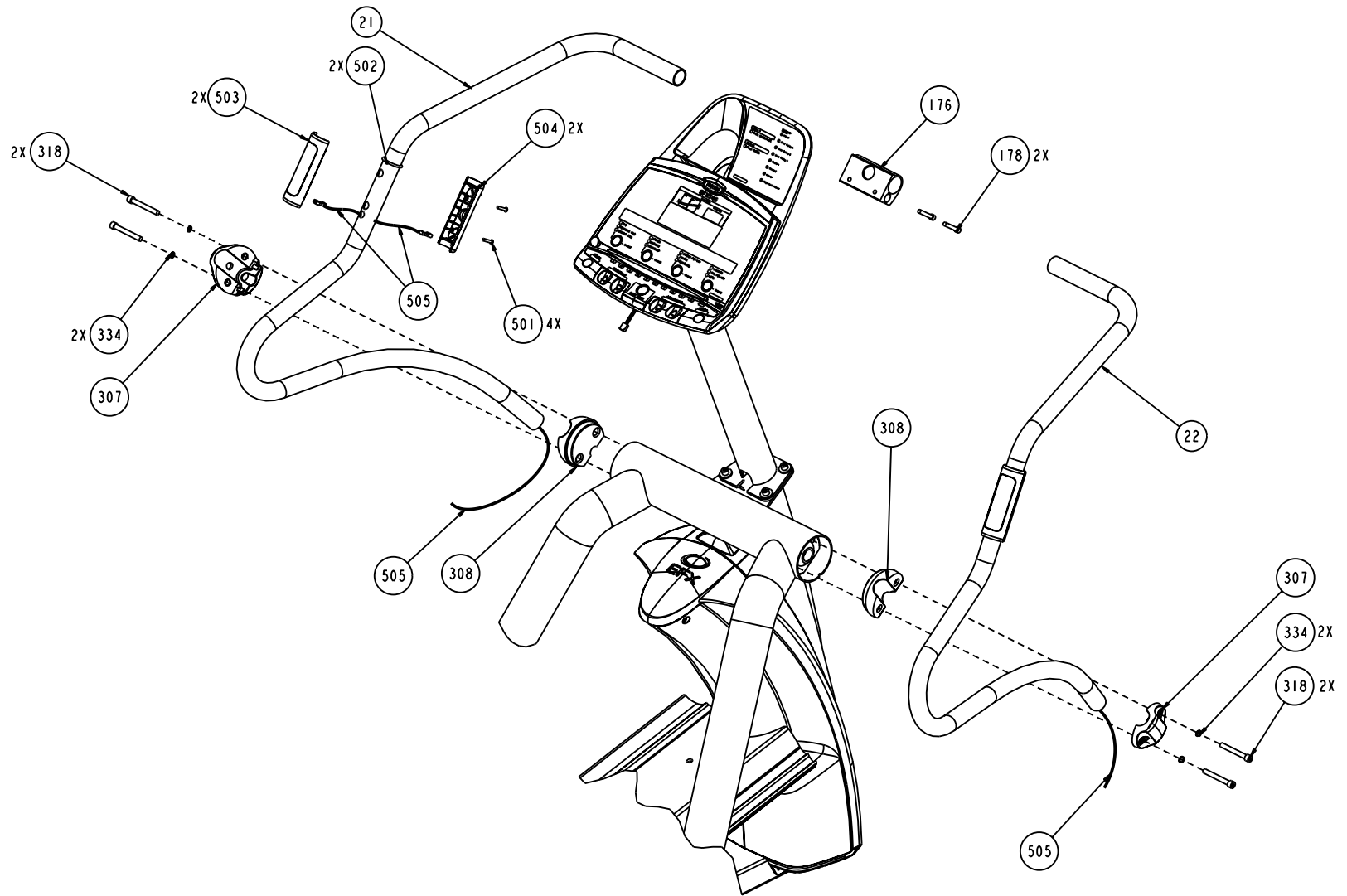


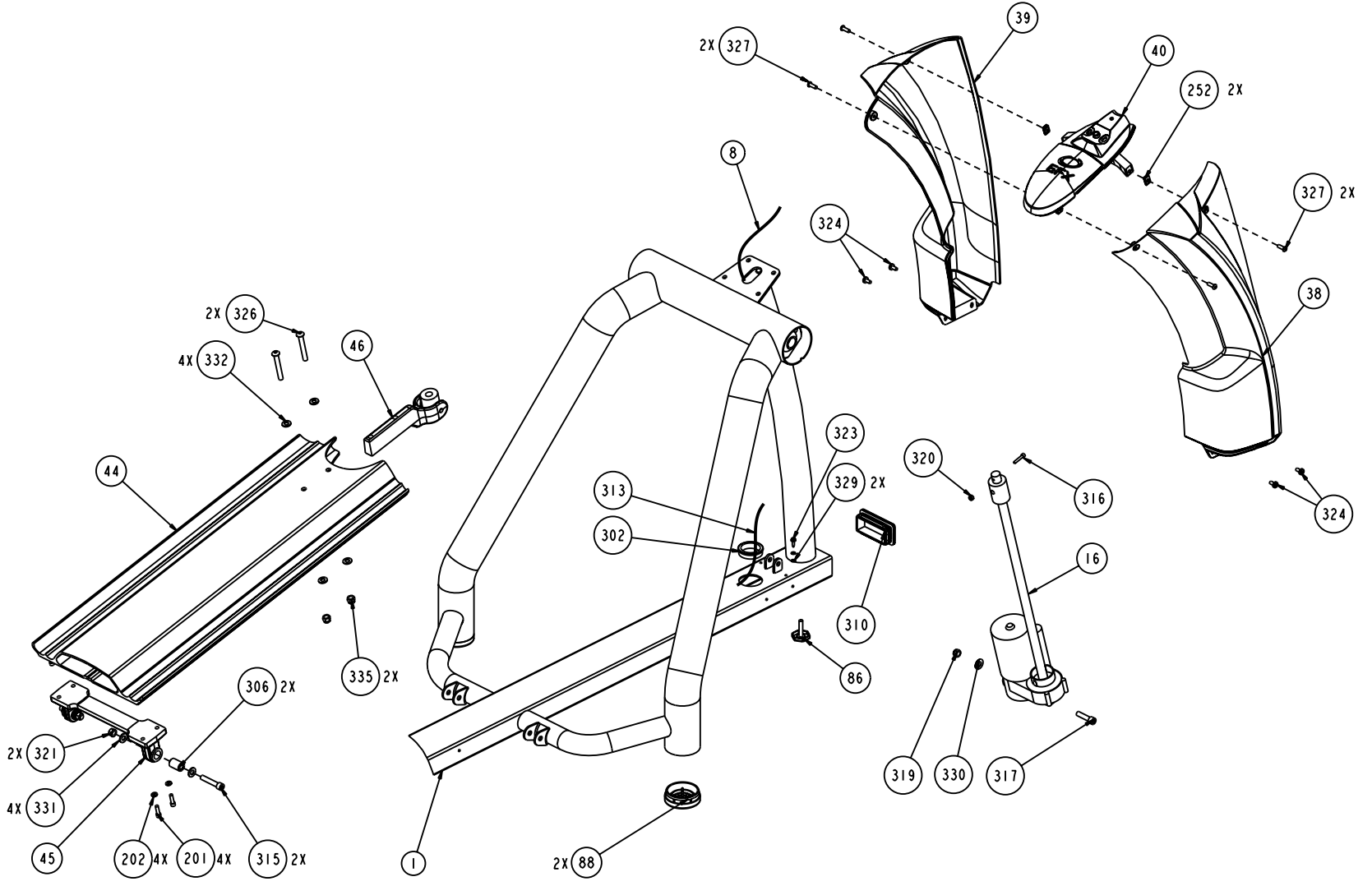
C546-NC	P/N 44668-101	REV: E04
DRAWN BY: M.HAMILTON	DATE: 04.15.04	SHEET 1 OF 7



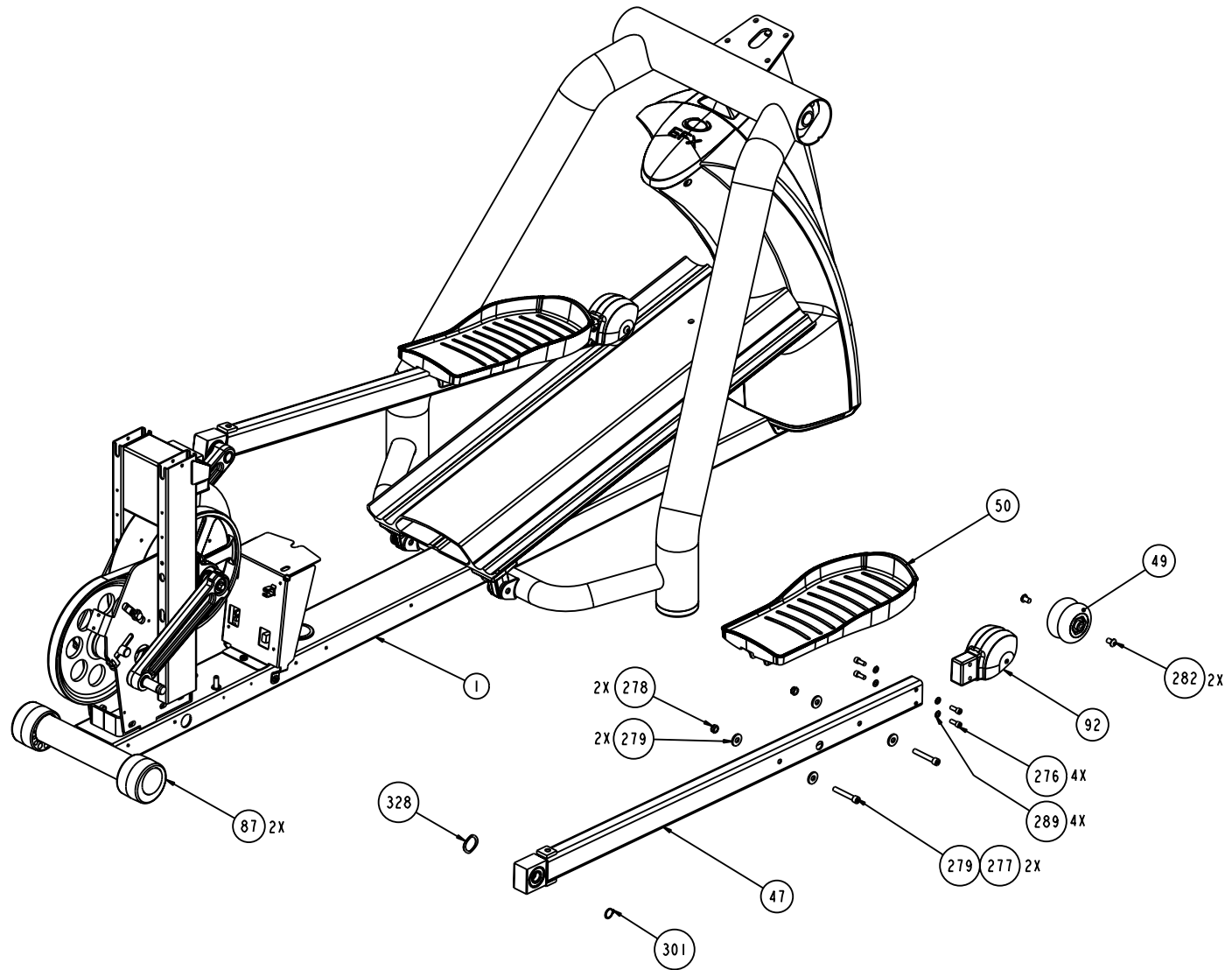
C546-NC	P/N 44668-101	REV: E04
DRAWN BY: M.HAMILTON	DATE: 04.15.04	SHEET 2 OF 7



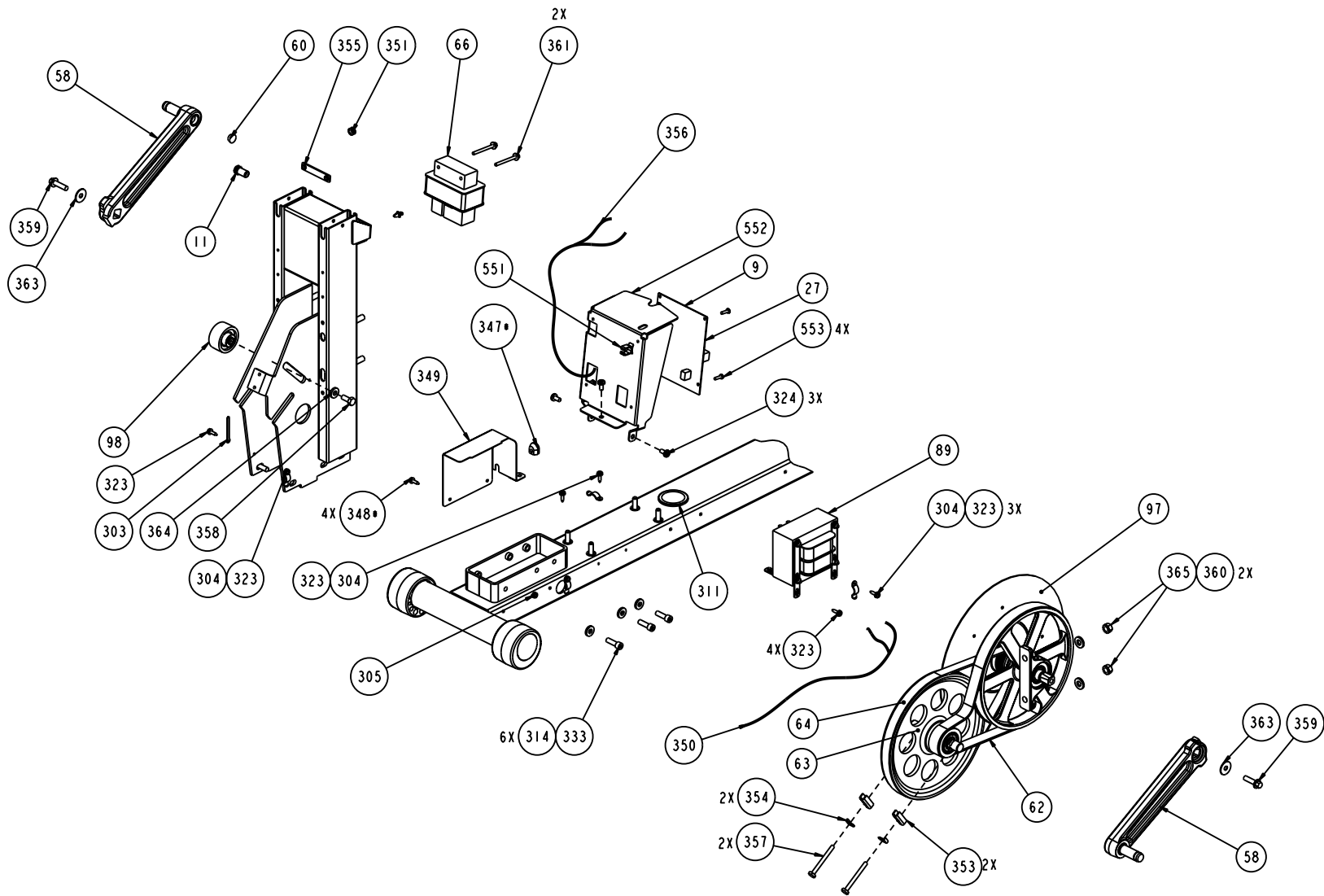
C546-NC	P/N 44668-101	REV: E04
DRAWN BY: M.HAMILTON	DATE: 04.15.04	SHEET 3 OF 7



C546-NC	P/N 44668-101	REV: E04
DRAWN BY: M.HAMILTON	DATE: 04.15.04	SHEET 4 OF 7

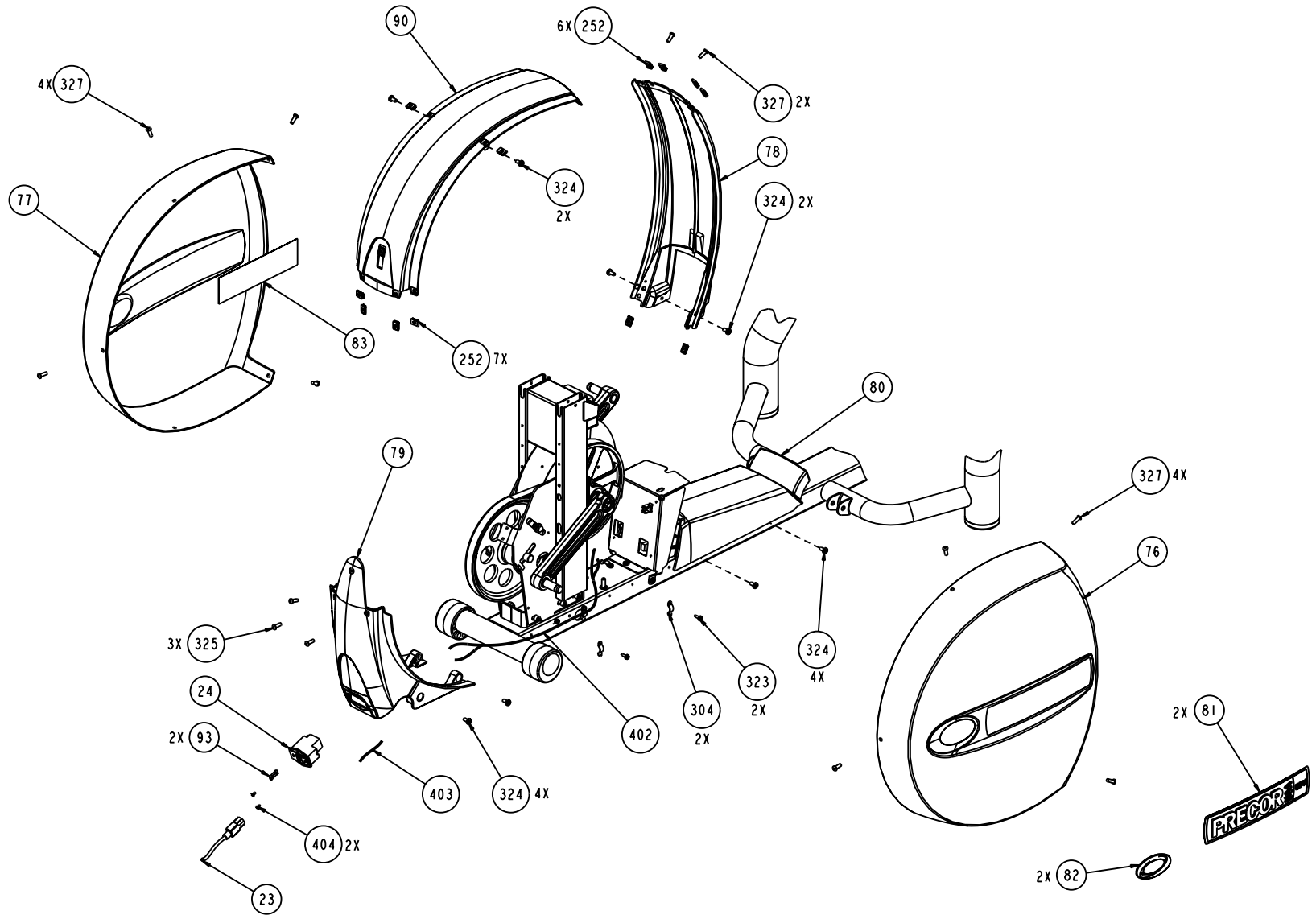


C546-NC	P/N 44668-101	REV: E04
DRAWN BY: M.HAMILTON	DATE: 04.15.04	SHEET 5 OF 7



* = 240 VOLT OPTION ONLY.

C546-NC	P/N 44668-101	REV: E04
DRAWN BY: M.HAMILTON	DATE: 04.15.04	SHEET 6 OF 7



C546-NC	P/N 44668-101	REV: E04
DRAWN BY: M.HAMILTON	DATE: 04.15.04	SHEET 7 OF 7

C546 (version 3) (serial code DC, EX, GT)

Part Number	Description	Bubble Number
43770-105	WELDMENT, FRAME, 5X6, PT	1
39006-502	PCA,DISPLAY,C2	4
43586-521	ASSY,PCA&SW,C546(NC) SERIAL,UPR	4.01
43587-203	PROM, PGMD, C546- C2 (NC), UPPER, V	5
43700-511	ASSY, DISPLAY, LABEL,EN,546, OOH,LA	6
44905-036	ASSY,CBL,MOD,8P8C,1-1,36"	7
44905-108	ASSY,CBL,MOD,8P8C,1-1,108"	8
43599-538	PCA,EFX,LWR,SERIAL,W/LIFT	9
44691-522	ASSY,PCA&SW,C546(NC) SERIAL,LWR	9.01
44652-047	ASSY,SENSOR,HALL EFF,103SR11A,47"L	11
44442-204	ACTUATOR, LIFT,CALIBRATED, W/O NUT	16
44518-101	ASSY, HANDLEBAR, C546 NC, LEFT	21
44518-102	ASSY, HANDLEBAR, C546 NC, RIGHT	22
12167-102	PWR ENTRY MOD & FILTER,250VAC,3A	24
45195-202	IC,CPU,PGMD,EFX546-C2(NC),LWR,V2.02	27
11415-102	COUPLER,MOD,8P8C,INLINE,SNAP-IN	29
43579-106	BOARD, CHR & WIRELESS/CONTACT PRIOR	32
44411-103	TOUCHSENSOR SHIELD,23-KEY,T2/C2/T3/	35
43329-102	WIRE FORM,PLASTIC,COMMERCIAL	36
43913-103	WELDMENT, FRAME, UPPER, EFX, NC, PA	37
44379-101	COVER,FRONT,RIGHT,CHARCOAL GRAY	38
44454-101	COVER,FRONT,LEFT,CHARCOAL GRAY	39
44555-101	ASSY, EFX COVER, FRONT, TOP	40
43791-104	ASSEMBLY, RAMP, C546	44
45858-101	ASSY, PIVOT BLOCK ONE PIECE C5X6	45
50584-101	COMMERCIAL EFX RAMP PIVOT RELACEMEN	45.01
45517-103	ASSY, LIFT NUT AND YOKE	46
50570-101	ASSY, STAIRARM/ RAIL PIVOT,C546	47
50578-102	ASSY, STAIRARM WHEEL, LARGE BEARING	49
50588-102	EFX WHEEL & COVER REPLACEMENT KIT	49.01
37314-108	PEDAL, FOOT	50
50582-101	C546, C556 CRANKARM REPLACEMENT KIT	58.01
11286-101	MAGNET, NEODYMIUM 30, DIA=.50	60
10217-130	BELT, DRIVE, POLY V (DAYCO 27-0628)	62
43920-101	ASSY,STEP-UP PULLEY,NC,COMM EFX	63
10217-129	BELT, DRIVE, 360J10 POLY V	64
39314-101	ELECTROMAGNET,EC BRAKE,	66
44471-103	ASSY,DRIVE WELDNT,COM EFX	75
44527-106	ASSY, EFX COVER, RIGHT SIDE	76
44527-107	ASSY, EFX COVER, LEFT SIDE, C546-NC	77
44479-101	ASSY, FRONT PANEL, EFX COVER, REAR	78
43707-102	SUPPORT, REAR COVER,CHARCOAL GRAY	79
43840-101	WEDGE, REAR COVER, EFX,CHARCOAL GRA	80
43610-102	LABEL, EFX COVER, REAR	81
38215-103	LABEL,EFX LOGO,REAR COVER,DURO-LENZ	82
43701-501	LABEL,WIRING DIAG.,C546 SERIAL, OOH	83
43179-103	BACKPLATE, DISPLAY, COMMERCIAL, CHA	85
11406-101	FOOT, LEVELER	86
37534-102	FOOT, ADJUSTABLE	87

38305-102	FOOT,FRAME,MOLDED	88
38264-103	ASSY, RAIL, PIVOT BLOCK/BEARING	89
44480-102	ASSY, TOP PANEL, EFX COVER, REAR	90
43702-504	WHEEL, COVER, 556, PT	92
12223-400	FUSE,TIME-DELAY,4A,250V,5X20MM	93
11075-105	FUSE,2.00A,250VAC,SLOW,RADIAL	94
50581-101	KIT, 546, 556 NC INPUT DRIVE ASSEMB	97
38320-103	IDLER,PULLEY	98
12264-101	RJ-45 TELEPHONE JACK PLUG	101
MGCN016-063	SCREW,MCH,8-32X5/8,PANHD,PHIL,	105
CCKN038-150	SCREW,SKHD,3/8-16X1.50,BLK ZN,LK	107
43930-101	BRACKET, PCA, EFX, PT	125
CAKN031-100	SCREW,SKHD,5/16-18X1,BLK ZN,LK	128
44479-101	ASSY, FRONT PANEL, EFX COVER, REAR	138
43582-107	LABEL, ACCESSORY TRAY, EN,546	152
39029-501	ASSY,CABLE,TOUCHSENSOR	154
PGKN016-050	SCREW,S/T,#8X1/2,TRS,PHIL,BLK	155
MGCN013-025	SCREW,MCH,6-32X1/4,PANHD,PHIL,	158
44954-013	ASSY,CBL,HHR TO DISPLAY,13"	159
10123-102	CABLE TIE, 3-7/8 LONG,WHITE,NYL	160
37499-102	CLAMP, HANDLEBAR,BLACK, PT	176
47341-036	ASSY, CABLE, HHR PCA, W/SHIELD, 36	177
CAKN025-150	SCREW, SKHD,1/4-20X1.50,BLK ZN,LK	178
TAKN025-100	SCREW,BTHD,1/4-20X1,BLK ZN	179
43175-104	COVER, CLAMP, UPPER,CHARCOAL GRAY	182
43176-103	COVER, CLAMP, LOWER,CHARCOAL GRAY	183
43177-101	GROMMET, CLAMP COVER	184
47718-102	HOLE PLUG, PLASTIC .875 X.13-.18	190
WPNN038-008	WASHER,FLT,5/16X.875X.104,SS	191
CAKN025-088	SCREW,SKHD,1/4-20X7/8,BLK ZN,LK	201
WPNN026-003	WASHER, FLAT, .255 X .468 X .029, S	202
WAGSN072-001	WASHER, WAVE .1.05 O.D., .755	250
10136-103	CLIP,U TYPE, TINNEMAN, 1/4-20	252
50583-101	CS KIT, FOOT PEDAL PLUG, EFX, 12 PC	270
CCNN025-063	SCREW,SKHD,1/4-20X5/8,SS,LK	276
CCNN031-200	SCREW,SKHD,5/16-18X2,SS,LK	277
KADN031-016	LOCKNUT,HALF,5/16-18,CAD PLT	278
WPNN038-008	WASHER,FLT,5/16X.875X.104,SS	279
TCNN031-050	SCREW,BTHD,5/16-18, 1/2,SS	282
WPNN026-003	WASHER, FLAT, .255 X .468 X .029, S	289
ABHN017-001	RING, RETAINER, EXTERNAL	301
10178-114	BUSHING,SNAP-IN,2.00OD X 1.64 ID	302
12103-101	CLAMP,CABLE,VINYL COATED	303
12240-101	CLAMP, CABLE	304
33984-101	LABEL, SAFETY, GROUND SYMBOL	305
43798-102	SHAFT, PIVOT BLOCK, C5X6-NC	306
44516-101	CASTING,HNDLBAR MOUNT,OUTER,C546,BL	307
44517-101	CASTING,HNDLBAR MOUNT,INNER,C546,BL	308
47344-015	ASSY, CABLE, HHR INTERFACE, W/SHIE	309
11311-101	ENDCAP, REC TUBE, BLACK PLASTIC, 50	310
10178-114	BUSHING,SNAP-IN,2.00OD X 1.64 ID	312

45109-068	ASSY,CBL,LPCA TO LIFT,68"	313
CAKN031-100	SCREW,SKHD,5/16-18X1,BLK ZN,LK	314
CAKN038-200	SCREW,SKHD,3/8-16X2,BLK ZN,LK	315
CBKN016-100	SCREW,SKHD,8-32X1,BLK ZN	316
CCKN038-150	SCREW,SKHD,3/8-16X1.50,BLK ZN,LK	317
CAKE031-250	SCREW,SKHD,5/16-18X2.50,BLK ZN,LK	318
KAKN038-027	LOCKNUT,HALF,3/8-16,BLK ZN	319
KECN016-019	LOCKNUT, FULL 8-32, ZINC	320
KGCN038-033	LOCKNUT, STARWASHER, 3/8-16	321
TAKN025-075	SCREW,BTHD,1/4-20X3/4,BLK ZN	322
PKCN019-050	SCREW,S/T,#10X1/2,WSHHXHD,ZN	323
PNKN025-050	SCREW,PANHD,PHIL,TYPEF,1/4-20X.5,BZ	324
TCNN038-275	SCREW, BTHD,3/8-16X 2.75, SS	326
TFKN025-075	SCREW,BTHD,1/4-20X3/4,BLK ZN	327
WAGNN062-001	WASHER, WAVE, .87 OD X .62 ID	328
WATNN020-002	WASHER, LK-INT, #10, ID=.200,	329
WBFNN047-002	WASHER,MYLAR,7/16	330
WBKN038-007	WASHER, FLT, 3/8, ID=.406, BLK ZN	331
WPNN038-006	WASHER, FLAT, 3/8 X 1/16 THK,	332
WBANN034-013	WASHER,FLAT,ID=11/32,OD3/4,TH=.125,	333
WALKN031-008	WASHER, 5/16 SPLIT LOCK, BLACK ZINC	334
KDKN038-034	LOCKNUT,FULL,3/8-16,BLK ZN	335
11745-101	CLIP,SNAP-IN,NYLON,1/4 DIA	352
37385-101	BRACKET, TENSIONER	353
37855-103	TAB, LOCKING	354
44402-102	NUT PLATE, EC BRAKE,EFX	355
HACN025-250	SCREW,1/4-20X2-1/2,HEX,GR 2,ZN	357
HCRN031-075	SCREW,HEX,GR 5,5/16-18X3/4,SIL ZN	358
HTKT008-018	BOLT,SHIMANO CRANK,M8X18MM, NYLK	359
KGCN038-033	LOCKNUT, STARWASHER, 3/8-16	360
MACN019-200	SCREW,HEX WASHER HEAD, #10-32 X 2.0	361
WNNN032-009	WASHER,FLT, .321X1.00X.090 THK	363
WRCN038-011	WASHER,GRADE 8,3/8,13/32 ID,13/16OD	365
37436-101	LABEL, CHASIS NEUTRAL	401
44435-021	ASSY,CBL,2-COND,18AWG,21",QK DISC	402
MNCN013-031	SCREW, MCH,6-32X5/16,FLTHD,PHIL	404
TCNN016-075	SCREW, BTHD, 8-32X.75,SS	501
10115-113	O-RING, ROUND, 1.25ID X .139	502
42713-102	HHR SENSOR, TOP	503
42714-102	HHR SENSOR, BOTTOM	504
47343-048	ASSY, CABLE, HHR GRIP, W/SHIELD, 4	505
11278-101	CABLE CLAMP,INSERT	551
43930-101	BRACKET, PCA, EFX, PT	552
MGCN016-063	SCREW,MCH,8-32X5/8,PANHD,PHIL,	553
44672-103	KIT,HARDWARE,C546 NC	901
10186-101	WRENCH, ALLEN, 5/32	902
10186-102	WRENCH, ALLEN, 1/4	903
10186-103	WRENCH, ALLEN, 3/16	904
CCNN031-088	SCREW,SKHD,5/16-18X7/8,SS,LK	905
TFKN025-075	SCREW,BTHD,1/4-20X3/4,BLK ZN	906
WPNN038-008	WASHER,FLT,5/16X.875X.104,SS	907

